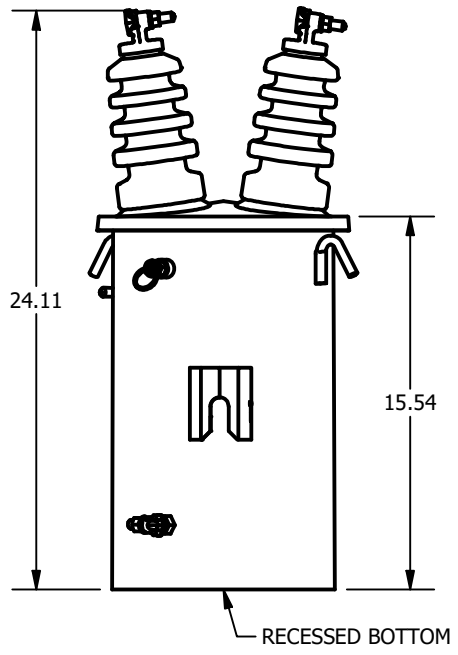
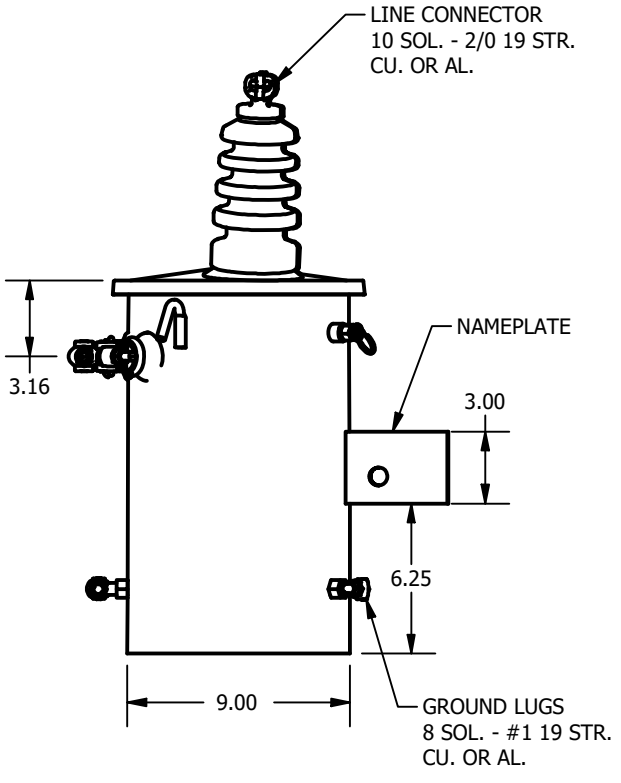



CHARACTERISTICS	
65 C RISE	
TYPE OISC	
CU WINDINGS	
NO PCBs	
GREY POWDER COATING	
65C COPPER LOSS	
20C CORE LOSS	
IMPEDANCE	
APPROXIMATE WEIGHT	

FOR TRAINING PURPOSES ONLY  
TRANSFORMER IS NOT FILLED  
WITH OIL



DATE	02-01-24	02-01-24	MODEL CONFIGURATION	
APPROVAL	M HALL	M HALL	PRIMARY VOLTAGE	120
REV	2		# PRI BUSHINGS	2
			RATED KVA	1
			SECONDARY VOLTAGE	120/240
			# SEC BUSHINGS	3
			KV BIL	NA
			FREQUENCY	60
			PRIMARY PROTECTION	NO FUSE
ALL PARAMETERS NOMINAL UNLESS OTHERWISE NOTED				

MODEL NUMBER		
<b>M1001PC2A05AA</b>		
 <b>Mid-Central Electric</b> Electric utility equipment		
ENG/DESIGNER	DD	CH
SCALE	1 / 8 = 1"	SHEET 1 OF 1